



12V/24V PORTABLE FRIDGE/FREEZERS



BRASS MONKEY

Feature-packed, covered by 3-year warranty, and much less expensive than the competition



**BRASS
MONKEY**

COLD COMFORT

Discover a convenient and portable way to keep your food and drinks cold with Brass Monkey fridge/freezers. These outstandingly reliable products cost as little as half the price of some other European brands and represent exceptional value for money. An Australian-owned brand, we're proud to include all kinds of perks and innovations geared specifically to the Aussie lifestyle.

One of the best things about the Brass Monkey brand is that unlike a portable cooler box such as an Esky, you can precisely control the temperature inside each and every compartment, with most models capable of a chilling -20°C .

HALF THE PRICE, ZERO REDUCTION IN QUALITY

Brass Monkey products are as much as 50% cheaper than the competition, yet without compromising the build and reliability standards.

3-YEAR WARRANTY

Every single unit is backed by a 3-year warranty – that's how confident we are in their build quality, durability and reliability.

TOP-QUALITY COMPRESSORS

We only use quality compressors which are durable, reliable and comparable to other more expensive brands.

EXCEPTIONAL DIVERSITY

With more than 30 different models, all including handy and practical features, there is sure to be a Brass Monkey perfectly suited to your needs. From a compact range perfect for your car, large capacity range with handles & wheels, to convertible dual zone models & huge capacity fridges for your longer trips. We've got products as unique as a centre-console model you can install in the cab of a 4x4, picnic fridges, & fridge/freezers specifically designed for caravans plus dozens of others.

CUTTING-EDGE INNOVATION

Our team is dedicated to constantly exploring new and practical features that will make our customers' lives easier. Here are some of innovations we've developed.

- Removable centre divider to convert a dual-zone fridge/freezer to single-compartment format.
- Ultra-portable designs with telescoping handles and sturdy, treaded wheels that make your fridge as easy to roll around as your luggage.
- An in-built and easily swappable battery system for 100% portable operation.
- Mobile app control with the addition of a child lock so you won't accidentally freeze your beer solid or let your food spoil.
- An ice-cube compartment integrated into a 12V fridge.

BRASS MONKEY MOBILE APP

WHAT'S THE BIG DEAL ABOUT CONTROLLING THE FRIDGE WITH YOUR PHONE?

App control lets you monitor how your fridge is operating, and make decisions about your priorities. Let's say you're out for a weekend on the water; the bait is not going to need to stay cold for very long, but if the beer reaches room temperature... that's a disaster. You can also use the app to control the fridge from your phone, so you don't have to wander below deck to crank up the chill factor.

Just open the app and tweak your settings, and you'll be the one who's calling the shots about how your fridge manages its resources.

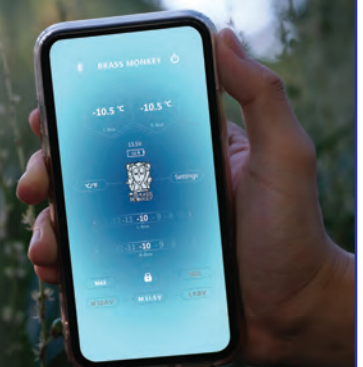


TABLE OF CONTENTS

COMPACT PORTABLE CAR FRIDGE / FREEZERS	4
COMPACT PORTABLE FRIDGE / FREEZERS WITH HANDLES & REMOVABLE BATTERY COMPARTMENT	6
COMPACT PORTABLE FRIDGE / FREEZERS	8
CENTRE CONSOLE PORTABLE CAR FRIDGE / FREEZER WITH QI WIRELESS CHARGER	11
ULTRA-COMPACT PORTABLE PICNIC FRIDGE / FREEZERS WITH HANDLE & REMOVABLE BATTERY COMPARTMENT	12
ULTRA-PORTABLE FRIDGE / FREEZERS WITH HIGH MOUNT COMPRESSOR AND IN-BUILT BATTERY COMPARTMENT	14
PORTABLE CONVERTIBLE DUAL ZONE FRIDGE / FREEZERS	16
ULTRA-PORTABLE DUAL ZONE FRIDGE / FREEZERS WITH IN-BUILT BATTERY COMPARTMENT	18
ULTRA-PORTABLE LOW PROFILE DUAL ZONE FRIDGE / FREEZERS WITH IN-BUILT BATTERY COMPARTMENT	20
LOW PROFILE DUAL ZONE FRIDGE / FREEZERS WITH IN-BUILT BATTERY COMPARTMENT	22
LOW PROFILE DUAL ZONE FISHING FRIDGE / FREEZERS WITH IN-BUILT BATTERY COMPARTMENT	24
STAINLESS STEEL DUAL ZONE FRIDGE / FREEZERS WITH LG COMPRESSOR	27
UPRIGHT FRIDGES WITH FREEZER ZONE	29
40-65L CARAVAN FRIDGES WITH FREEZER ZONE	32
85-90L CARAVAN FRIDGES WITH FREEZER ZONE + LG COMPRESSOR	34
DRAWER FRIDGE / FREEZER	36
APPLIANCES	38
ICE BOXES	39
ACCESSORIES	40
COVERS	41



**BRASS
MONKEY**

COMPACT PORTABLE CAR FRIDGE / FREEZERS



Optional Extension Lid

Can increase
available
volume to 20L

Space-maximising Design

No internal dividers
to reduce available
interior volume

Digital Control Panel

Temperature
can be set as
low as -20°C



Compact Size

Perfect for day
trips and keeping
frozen treats
frosty in the car



POWER IN A SMALL PACKAGE

At just 9L (GH1627) and 15L (GH1623) respectively, these compressor-type fridge/freezers are compact enough for any road trip in the car, while also featuring 12V/24V which makes them equally perfect for a boat, caravan or RV. They feature a digitally controlled thermostat that can be set as low as -20°C, allowing them to be used for freezing as well as refrigeration, and their high-density foam insulation makes them highly energy-efficient.

You can expand their versatility with optional extras ranging from a 240V adaptor for mains operation to a 5L extension lid for the 15L unit that increases it to 20L. An optional insulated cover is also available for both fridges and makes them even more economical to run.

WHY YOU NEED IT

- Small enough to put in your car and prevent your ice-cream from turning to milky soup.
- Keep a stash of frozen goodies on hand to keep the kids happy instead of paying extortionate prices at some remote servo.

BEST FOR...

- Road trips
- An afternoon on the water
- Keeping up to 9 cans (9L) or 21 cans (15L) icy cold

ADDITIONAL FEATURES

- 3-stage low voltage battery protection
- 12/24V car cigarette power lead included
- 240VAC to 12VDC mains power adaptor GH1628 (sold separately)

ACCESSORIES SEE PAGE 40 & 41



EXTENSION LID (GH1621)

Available for GH1623 - adds
5L to make it a 20L fridge.



INSULATED COVERS



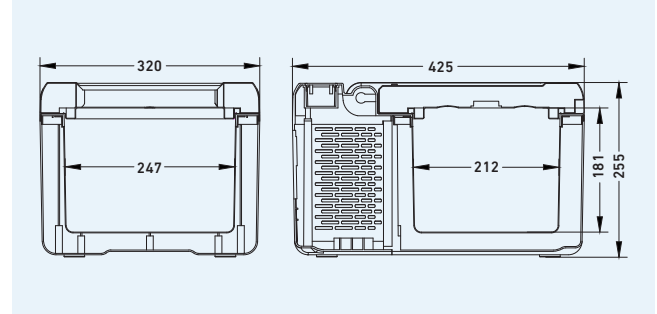
POWER SUPPLIES & CABLES



SPECIFICATIONS

Volume (Litres)	9
Dimensions (L x W x H mm)	425 x 320 x 255
Weight (kg)	6.7
Power Source	12-24V DC, 100-240V AC
Cat. No	GH1627

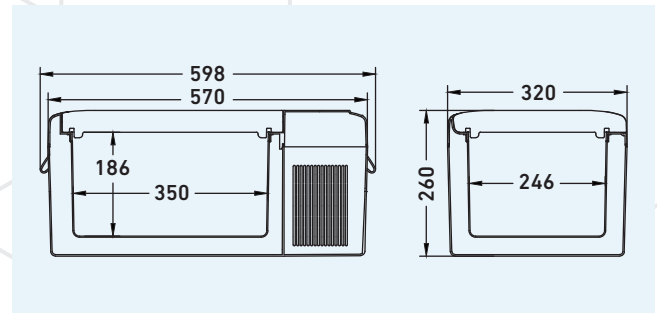
DIMENSIONS



SPECIFICATIONS

Volume (Litres)	15
Dimensions (L x W x H mm)	598 x 320 x 260
Weight (kg)	8.6
Power Source	12-24V DC, 100-240V AC
Cat. No	GH1623

DIMENSIONS





**BRASS
MONKEY**

COMPACT PORTABLE FRIDGE / FREEZERS

WITH HANDLES & IN-BUILT BATTERY COMPARTMENT



In-built Battery Compartment

Fits optional lithium battery (GH2027), or two batteries in 25L unit (GH2028)



Bluetooth®



SOLAR
READY



BATTERY
COMPATIBLE



MOBILE APP
CONTROL



3 YEAR
WARRANTY



Easy to Transport

Moulded handles on 15L model (GH2027) or fold-up handle and wheels on 25L version (GH2028).

Power via
12V Cigarette
Socket



Solar Blanket



Mains Power



Battery Power



COOL TO GO

Small in size but huge on practicality, these fridge/freezers are compact enough for use on the worksite or a weekend getaway and weigh in at just 8.6kg (GH2027) and 17.5kg (GH2028), respectively. Whilst the larger model can hold a slab and a half, both can chill their contents down to -20°C. They also feature three-stage protection to ensure your car battery isn't flattened or damaged while they're plugged in.

Apart from drawing power from a 12/24VDC cigarette lighter socket, they can be plugged into the mains using a 240VAC adaptor (sold separately), or operate unplugged thanks to optional lithium batteries. Plus they feature a robust plastic casing that will be appreciated by tradies and campers alike.

WHY YOU NEED IT

- Dual battery compartment on 25L unit (GH2028) doubles off-grid endurance, even without solar charging.
- Lightweight 15L model (GH2027) can hold up to 20 cans while being energy-efficient and easy to carry.

BEST FOR...

- A day trip or weekend away
- Tradie use
- Ute, boat, tent, caravan... you name it

ADDITIONAL FEATURES

- Quiet with little noise less than 38dB
- LED internal light for easy finding of food in the dark (GH2028)
- USB charging output port
- Digital control panel
- Solar ready (get power directly from a solar panel - GH2027 only)
- 3-stage low voltage battery protection
- 12/24V car cigarette power lead & 240VAC to 12VDC mains power adaptor (sold separately)

ACCESSORIES SEE PAGE 40 & 41



**POWER SUPPLIES
& CABLES**



**REMOVABLE
LITHIUM BATTERIES**



INSULATED COVERS



SOLAR PANEL



FRIDGE STAND



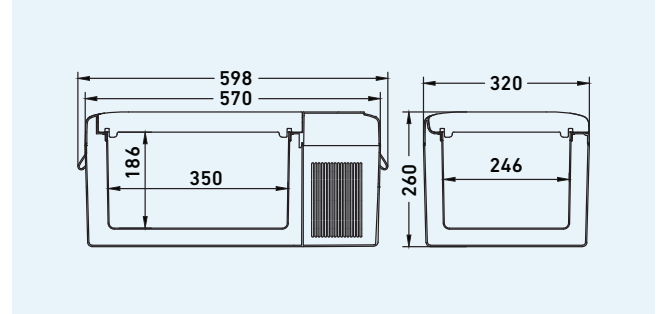
15L
CAPACITY

HOLDS
21
CANS

SPECIFICATIONS

Volume (Litres)	15
Dimensions (L x W x H mm)	598 x 320 x 260
Weight (kg)	8.6
Power Source	12-24V DC, 100-240V AC or optional battery
Cat. No	GH2027

DIMENSIONS



25L
CAPACITY

HOLDS
36
CANS

Perfect for Tradies

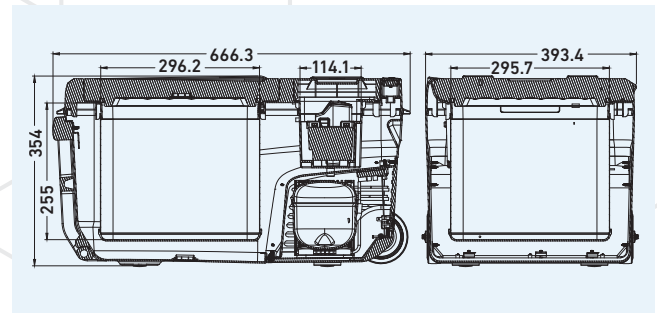
Large fold-down handle

Makes it easy to transport

SPECIFICATIONS

Volume (Litres)	25
Dimensions (L x W x H mm)	666 x 393 x 354
Weight (kg)	17.5
Power Source	12-24V DC, 100-240V AC or optional battery
Cat. No	GH2028

DIMENSIONS





**BRASS
MONKEY**

COMPACT PORTABLE FRIDGE / FREEZERS

Ice Tray Compartment

A dedicated
home for your ice
cubes!

Digital Control Panel

Temperature can be
set as low as -20°C



**3 YEAR
WARRANTY**



USB Port

Lets you charge
your devices on
the go

Premium Metal Casing

Strong and
classy exterior
on a relatively
compact 25L unit
(GH2006)



Bluetooth®

WORK HARD, PLAY HARDER

These fridge/freezers can cope just as well with a hard day's work as a relaxing weekend of play. You can easily take one of these straight from a blistering hot worksite to a weekend camping trip.

An optional 240V adaptor is available for the 22L unit (GH1624), and included as standard with the 25L model (GH2006) for plug-and-play mains operation. Other optional accessories include fitted insulated covers for both variants, as well as a fridge stand for convenient access at a barbecue or camp kitchen.

These units will ensure your coldies live up to their name!

WHY YOU NEED IT

- Huge versatility in compact and cost-effective fridge/freezers (ice tray on the 22L model, USB charging ports and more).
- Internal lighting makes them perfect for off-grid night-time use.

BEST FOR...

- Worksite use
- A day trip or weekend away
- Ute, boat, tent, caravan... you name it

ADDITIONAL FEATURES

- LED internal light for easy finding of food in the dark
- 3-stage low voltage battery protection
- 12/24V car cigarette power lead included
- 240VAC to 12VDC mains power adaptor GH1628 (sold separately) (GH1624 only)
- 240VAC to 12VDC mains power adaptor included (GH2006 only)

ACCESSORIES SEE PAGE 40 & 41



POWER SUPPLIES & CABLES



INSULATED COVERS



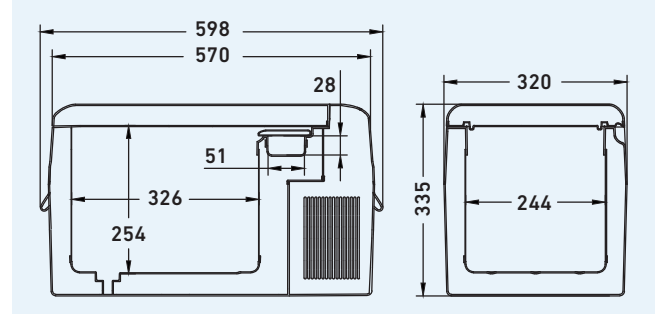
FRIDGE STAND



SPECIFICATIONS

Volume (Litres)	22
Dimensions (L x W x H mm)	598 x 320 x 335
Weight (kg)	10
Power Source	12-24V DC, 100-240V AC
Cat. No	GH1624

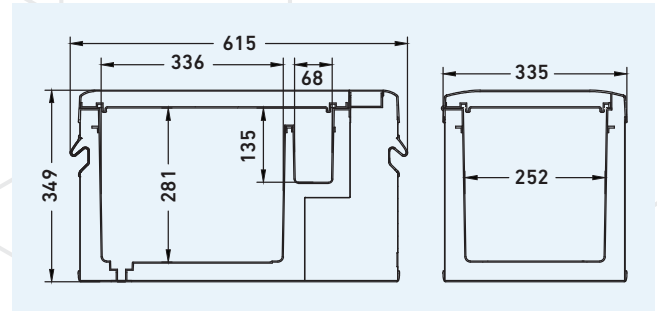
DIMENSIONS



SPECIFICATIONS

Volume (Litres)	25
Dimensions (L x W x H mm)	615 x 335 x 349
Weight (kg)	12.1
Power Source	12-24V DC, 100-240V AC
Cat. No	GH2006

DIMENSIONS







CENTRE CONSOLE PORTABLE CAR FRIDGE / FREEZER

WITH QI WIRELESS CHARGER

CHILLIN' ON THE ROAD

This fridge/freezer can be installed in place of the factory centre console of a large 4x4. Not only can it be cranked the whole way to an icy -20°C, it can also run off a DC power supply of 12V or 24V. It can easily be set to either fast cooling or energy-saving mode, with power consumption as low as 0.25kW per 24 hours of use.

The integrated wireless charger can conveniently keep Qi-enabled devices topped up, but don't stress if you need to charge via cable: there's a top-mounted USB charging port as well.

Wireless Qi Phone Charger

Just place your compatible phone in the tray, no fiddling with cables

Soft Leather Look Lid

For a classy appearance and comfy armrest

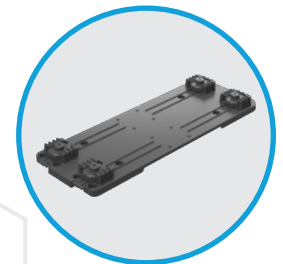
Two USB Ports

Give back-seat passengers charging options within easy reach



Mounting Base

Holds the unit securely in position



WHY YOU NEED IT

- A place to keep your drinks and/or lunch cold and permanently on hand.
- You'll wonder how you ever survived without an integrated fridge/freezer between the front seats.

BEST FOR...

- Large 4WDs
- Low power consumption
- Off-road adventures

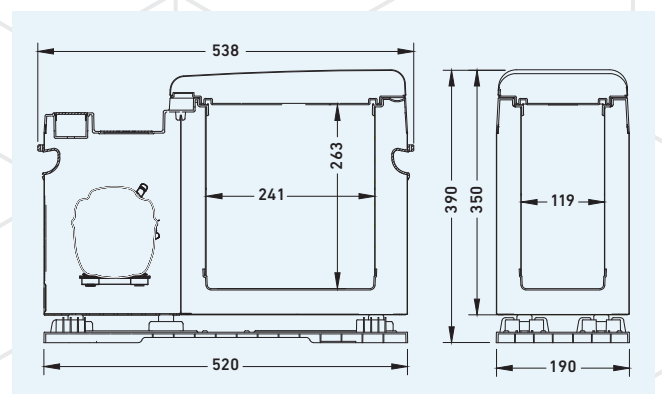
ADDITIONAL FEATURES

- Digital control panel
- 3-stage low voltage battery protection
- 12/24V car cigarette power lead included
- 240VAC to 12VDC mains power adaptor GH1628 (sold separately)

SPECIFICATIONS

Volume (Litres)	8
Dimensions (L x W x H mm)	538 x 190 x 390
Weight (kg)	9
Power Source	12-24V DC, 100-240V AC
Cat. No.	GH1611

DIMENSIONS



ACCESSORIES SEE PAGE 40 & 41



POWER SUPPLIES & CABLES



ULTRA-COMPACT PORTABLE PICNIC FRIDGE / FREEZERS

WITH IN-BUILT BATTERY COMPARTMENT



Ergonomic Handle

Lets you take it anywhere, comfortably and easily



In-built Battery Compartment

Holds optional lithium battery for fully off-grid use

Power via

12V Cigarette Socket



Solar Blanket



Mains Power



Battery Power



Removable Ice Brick

Gives you an extra boost of chill on the go

Bluetooth®



USB Port

Lets you charge your devices on the go



SMALL WONDER

Discover how much can be packed into a fridge/freezer that measures just 393 x 236 x 443mm. The 8L version can accommodate 10 cans, while the 18L model can hold four bottles of bubbly standing upright, and both units include a USB port for charging your devices on the go. As if that wasn't enough, the optional lithium battery and solar-ready charging system let you keep it running on the beach or in the park, without connecting it to an external power supply.

WHY YOU NEED IT

- Instead of a wine cooler or small icebox, you can take a real compressor-type fridge/freezer to a party/picnic or al fresco dining.
- Ingenious design and low price point make these excellent gift ideas.

BEST FOR...

- Chilling champagne (GH2046/GH2047)
- Sophisticated picnics
- Families, couples, party goers, picnic lovers, gadget fans...

ADDITIONAL FEATURES

- Digital control panel
- Solar ready (get power directly from a solar panel)
- 3-stage low voltage battery protection
- 12/24V car cigarette power lead included
- 240VAC to 12VDC mains power adaptor GH1628 (sold separately)

ACCESSORIES SEE PAGE 40 & 41



POWER SUPPLIES & CABLES



REMOVABLE LITHIUM BATTERIES



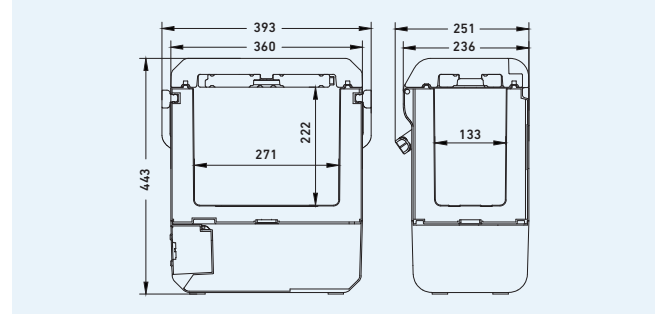
SOLAR PANEL



SPECIFICATIONS

Volume (Litres)	8
Dimensions (L x W x H mm)	393 x 236 x 443
Weight (kg)	7.8
Power Source	12-24V DC, 100-240V AC or optional battery
Cat. No	GH2026

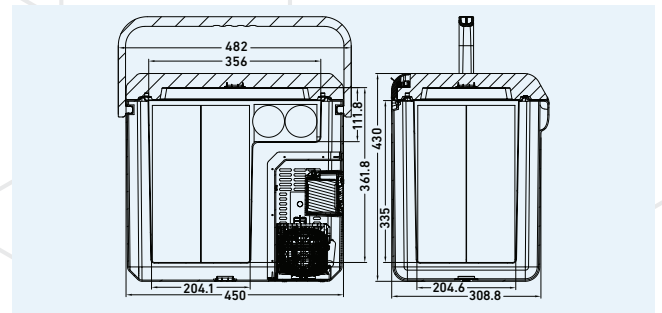
DIMENSIONS



SPECIFICATIONS

Volume (Litres)	18
Dimensions (L x W x H mm)	482 x 308 x 430
Weight (kg)	9.5
Power Source	12-24V DC, 100-240V AC or optional battery
Cat. No	GH2046 (Blue) / GH2047 (Grey)

DIMENSIONS





**BRASS
MONKEY**

ULTRA-PORTABLE FRIDGE / FREEZERS WITH HIGH MOUNT COMPRESSOR AND IN-BUILT BATTERY COMPARTMENT



In-built Battery Compartment

Holds optional lithium battery for fully off-grid use

Telescoping Handle

Makes it easy to roll, suitcase-style, fully loaded

High-mount Compressor

Effortlessly stays clear of a dusty or sandy substrate

Power via

12V Cigarette Socket



Solar Blanket



Mains Power



Battery Power



Solar Ready

Lets you plug a solar panel straight in to top up the battery



Large, Sturdy Wheels

Designed to cope with rougher terrain and unpaved surfaces

Integrated Bottle Opener

So you can easily crack a cold one within seconds of taking it out

BEST CASE SCENARIO

Considering the largest model (GH2034) in this range is 62L in volume and can hold almost four slabs of tinnies, it can weigh a lot when fully loaded. Fortunately, the telescoping handle and sturdy wheels allow you to roll it as effortlessly as a tool trolley or suitcase.

These models are all designed with the compressor mounted at the top of the fridge which makes them less prone to getting dirt or sand in them and damaging the unit.

All three models have a footprint of just 689 x 427mm, so they're easier to stow in a narrow space, and the in-built compartment for an optional battery coupled with onboard solar charge controller give it formidable off-grid endurance.

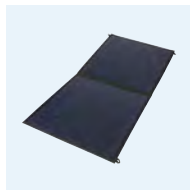
ACCESSORIES SEE PAGE 40 & 41



REMOVABLE LITHIUM BATTERIES



POWER SUPPLIES & CABLES



SOLAR PANEL



INSULATED COVERS



FRIDGE STAND



SLIDE DRAWER

WHY YOU NEED IT

- Great for the beach or dusty locations as the high-mounted compressor is less likely to get sand or dust in it.
- Ultra-portable design makes them easy to cart around anywhere.

BEST FOR...

- Single-zone format
- Upright spaces
- Rolling while fully loaded

ADDITIONAL FEATURES

- Quiet with little noise less than 38dB
- Digital control panel
- LED internal light for easy finding of food in the dark
- USB charging output port
- 3-stage low voltage battery protection
- 12/24V car cigarette power lead & 240VAC to 12VDC mains power adaptor included



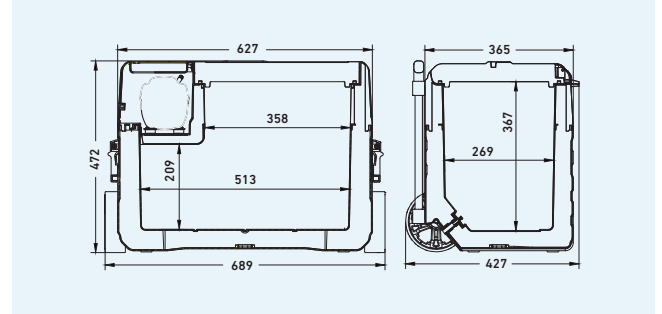
42L
CAPACITY

HOLDS
60
CANS

SPECIFICATIONS

Volume (Litres)	42
Dimensions (L x W x H mm)	689 x 427 x 508
Weight (kg)	14.7
Power Source	12-24V DC, 100-240V AC or optional battery
Cat. No	GH2030

DIMENSIONS



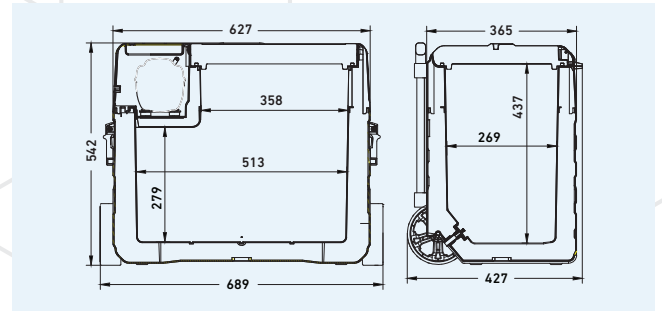
52L
CAPACITY

HOLDS
75
CANS

SPECIFICATIONS

Volume (Litres)	52
Dimensions (L x W x H mm)	689 x 427 x 542
Weight (kg)	16.2
Power Source	12-24V DC, 100-240V AC or optional battery
Cat. No	GH2032

DIMENSIONS



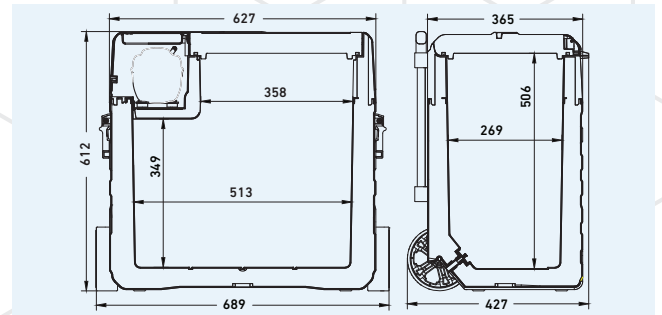
62L
CAPACITY

HOLDS
95
CANS

SPECIFICATIONS

Volume (Litres)	62
Dimensions (L x W x H mm)	689 x 427 x 612
Weight (kg)	17
Power Source	12-24V DC, 100-240V AC or optional battery
Cat. No	GH2034

DIMENSIONS





**BRASS
MONKEY**

PORTABLE CONVERTIBLE DUAL ZONE FRIDGE / FREEZERS

Bluetooth®



Removable Zone Divider

Gives you the option of single space or dual compartments



DUAL ZONE



MOBILE APP CONTROL



3 YEAR WARRANTY

Dual Zone Digital Control Panel

Allows you to regulate the temperature of each compartment separately



Ready to Roll

Integrated wheels and fold-down handle make it easy to move, even fully loaded

DIVIDE AND CONQUER

You will love this ultra-versatile range, which includes a removable divider for options galore. Choose between two chiller zones, two freezers, one of each, or one single-compartment chiller or freezer. These models feature app control from your mobile device, as well as digital temperature controls to independently regulate each zone through -20°C to +20°C.

The integrated handle and wheels helps add portability and makes these an ideal solution for any road, boat or camping trip.

WHY YOU NEED IT

- The removable divider takes your zoning options to the next level.
- Perfect for a party, camping trip, extra freezer space at home... you name it.

BEST FOR...

- Maximum multifunctionality
- Easy transport
- Up to 60L single-zone option (GH1644)

ADDITIONAL FEATURES

- USB charging output port
- Handle and wheels for easy portability
- LED internal light for easy finding of food in the dark
- 3-stage low voltage battery protection
- 12/24V car cigarette power lead & 240VAC to 12VDC mains power adaptor included

ACCESSORIES SEE PAGE 40 & 41



POWER SUPPLIES & CABLES

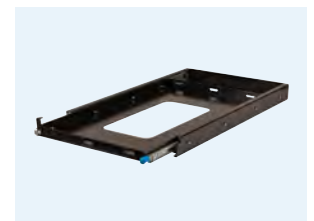


INSULATED COVERS

Available in grey, green & desert camo



FRIDGE STAND



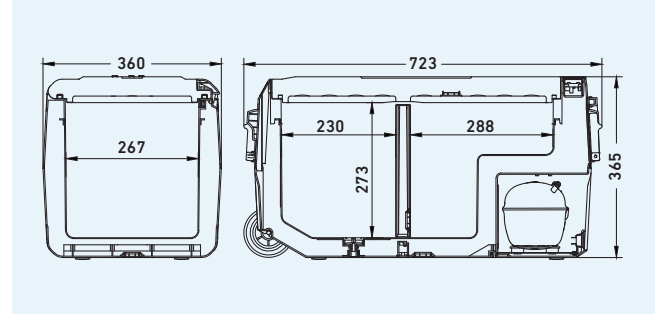
SLIDE DRAWER



SPECIFICATIONS

Volume (Litres)	36
Dimensions (L x W x H mm)	723 x 360 x 365
Weight (kg)	14
Power Source	12-24V DC, 100-240V AC
Cat. No	GH1640

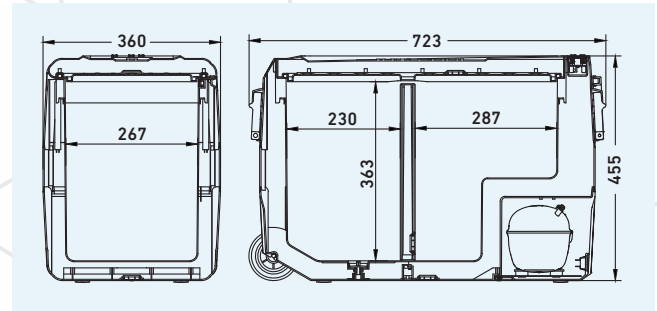
DIMENSIONS



SPECIFICATIONS

Volume (Litres)	50
Dimensions (L x W x H mm)	723 x 360 x 455
Weight (kg)	15.5
Power Source	12-24V DC, 100-240V AC
Cat. No	GH1642

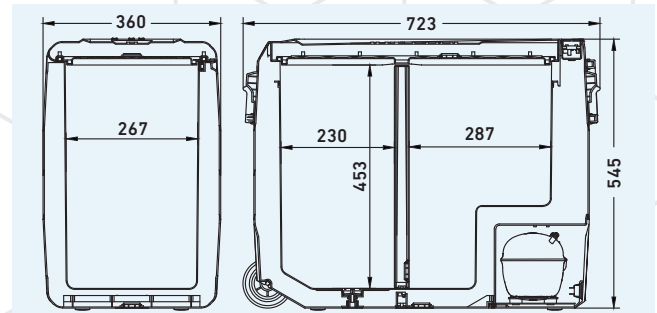
DIMENSIONS



SPECIFICATIONS

Volume (Litres)	60
Dimensions (L x W x H mm)	723 x 360 x 545
Weight (kg)	17
Power Source	12-24V DC, 100-240V AC
Cat. No	GH1644

DIMENSIONS





**BRASS
MONKEY**

ULTRA-PORTABLE DUAL ZONE FRIDGE / FREEZERS WITH IN-BUILT BATTERY COMPARTMENT

Solar Ready

Connect a solar panel to top up the optional battery

In-built Battery Compartment

Holds optional lithium battery for fully off-grid use

Bluetooth®

Built to Go

Sturdy treaded wheels, fold-down side handles and telescoping main handle ensure easy transportation

Dual Zone

Fridge space independent of freezer for the best of both worlds

Lock-in Cutting Board

Secured under the lid so it's always on hand when needed

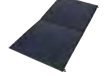


Power via

12V Cigarette Socket



Solar Blanket



Mains Power



Battery Power



GET ROLLING

The wheels and telescoping main handle, plus fold-down side handles, make these units ultra-portable and easy to just grab and go anywhere. It's dual zone feature gives you the best of both worlds and lets you choose between a fridge and freezer zone, two fridge zones, or two freezer zones.

You can power these fridges from a 12/24VDC cigarette lighter socket in a car or boat, or plug the 240AC adaptor into the mains at home. Alternatively, a lithium battery is available as an optional accessory for fully unplugged operation.

An integrated solar charge controller makes connecting to solar panels a simple matter of 'plug and play'. These fridges are cooled by a powerful 45W compressor, and they're built tough to withstand being slung onto the back of the ute.

WHY YOU NEED IT

- Full-featured dual-zone control gives you heaps of options for keeping provisions cold.
- Optional solar panels and lithium battery, so they don't have to be tethered to a power source such as your car.

BEST FOR...

- Off-grid campsite use
- Optimising power control using the app
- Effortless transport

ADDITIONAL FEATURES

- Quiet with little noise less than 38dB
- Digital control panel
- LED internal light to easily find food in the dark
- USB charging output port
- 3-stage low voltage battery protection
- 12/24V car cigarette power lead & 240VAC to 12VDC mains power adaptor included

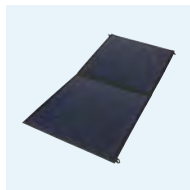
ACCESSORIES SEE PAGE 40 & 41



REMOVABLE LITHIUM BATTERIES



POWER SUPPLIES & CABLES



SOLAR PANEL



INSULATED COVERS



FRIDGE STAND



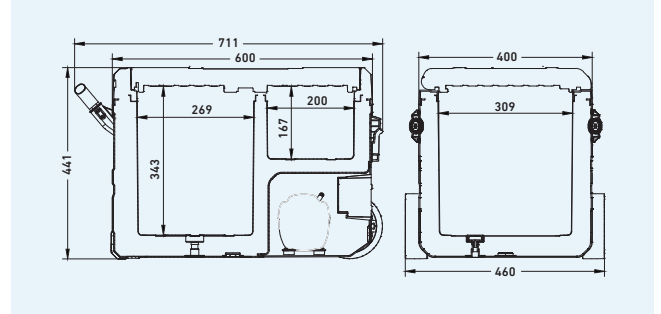
SLIDE DRAWER



SPECIFICATIONS

Volume (Litres)	35
Dimensions (L x W x H mm)	711 x 460 x 441
Weight (kg)	17.5
Power Source	12-24V DC, 100-240V AC or optional battery
Cat. No	GH2020

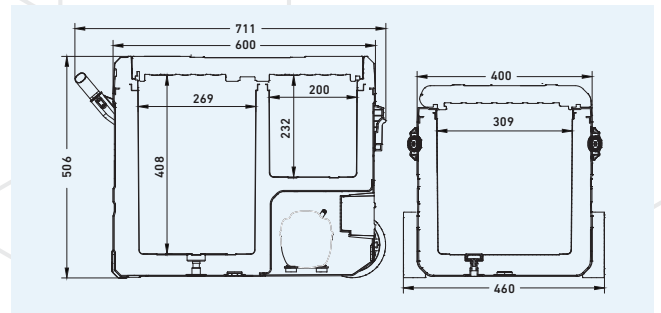
DIMENSIONS



SPECIFICATIONS

Volume (Litres)	45
Dimensions (L x W x H mm)	711 x 460 x 506
Weight (kg)	18.1
Power Source	12-24V DC, 100-240V AC or optional battery
Cat. No	GH2022

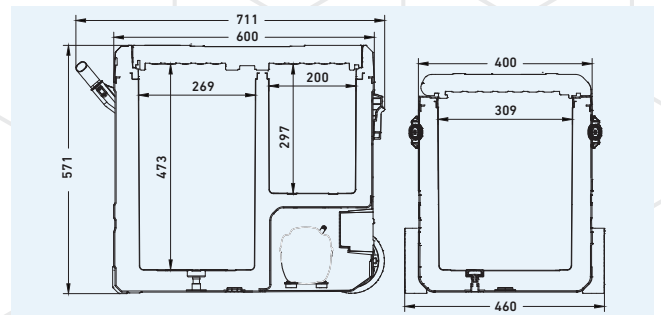
DIMENSIONS



SPECIFICATIONS

Volume (Litres)	55
Dimensions (L x W x H mm)	711 x 460 x 571
Weight (kg)	19
Power Source	12-24V DC, 100-240V AC or optional battery
Cat. No	GH2024

DIMENSIONS





**BRASS
MONKEY**

ULTRA-PORTABLE LOW PROFILE DUAL ZONE FRIDGE / FREEZERS WITH IN-BUILT BATTERY COMPARTMENT



SLIM AND STRONG

Offering up to 95L of internal volume (GH2038) with exterior dimensions of just 1005 x 571 x 465mm, these units offer a low profile slimline design.

Packed with practical features such as integrated solar charge controller for easy connection to solar panels, they are also compatible with an optional lithium battery for fully unplugged operation.

At just 38dB, they are incredibly quiet and won't annoy others at your camping ground -- or you can plug in the included 240VAC adaptor and use them as extra fridge/freezer space at home. A particularly cool aspect is the ability of their two lids to hinge on either side.

WHY YOU NEED IT

- Tough outer casing and heavy-duty insulation for durability & efficiency.
- Designed to maximise inner volume while minimising outer size to fit where others can't.

BEST FOR...

- Multiple lid options
- Fully standalone off-grid use

ADDITIONAL FEATURES

- Quiet with little noise less than 38dB
- LED internal light to easily find food in the dark
- Digital temperature control
- Solar ready (get power directly from a solar panel)
- 3-stage low voltage battery protection
- 12/24V car cigarette power lead & 240VAC to 12VDC mains power adaptor included

ACCESSORIES SEE PAGE 40 & 41



REMOVABLE LITHIUM BATTERIES



POWER SUPPLIES & CABLES



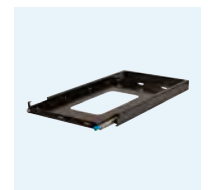
SOLAR PANEL



INSULATED COVERS



FRIDGE STAND



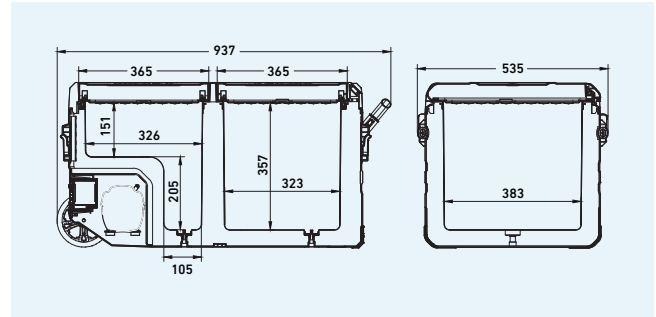
SLIDE DRAWER



SPECIFICATIONS

Volume (Litres)	75
Dimensions (L x W x H mm)	937 x 535 x 465
Weight (kg)	24.2
Power Source	12-24V DC, 100-240V AC or optional battery
Cat. No	GH2036

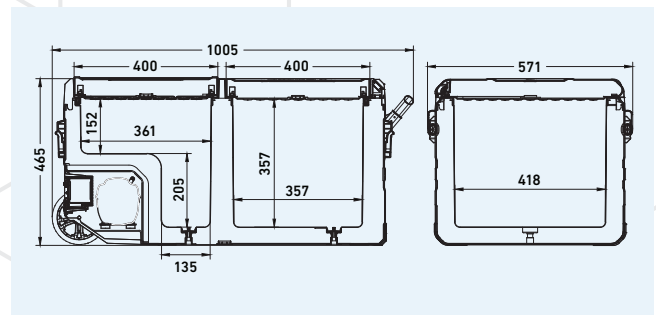
DIMENSIONS



SPECIFICATIONS

Volume (Litres)	95
Dimensions (L x W x H mm)	1005 x 571 x 465
Weight (kg)	26.5
Power Source	12-24V DC, 100-240V AC or optional battery
Cat. No	GH2038

DIMENSIONS



BRASSMONKEY.COOL

[HOME](#) [PRODUCTS](#) [ABOUT](#) [CONTACT](#) [FIND YOUR STOCKIST](#)

Cool and easy to use – just like our fridge/freezers.

Visit our website where you can view the range (including new releases), compare pricing, download data sheets and find a stockist.

Check out the Brass Monkey website at www.brassmonkey.cool or scan the QR code

Available at **jaycar** **RTM** ROAD TECH MARINE



**BRASS
MONKEY**

LOW PROFILE DUAL ZONE FRIDGE / FREEZERS

WITH IN-BUILT BATTERY COMPARTMENT

Solar Ready

Keep battery topped up via solar panel

Two Dual-hinged Lids

Allow access to each zone separately and can be opened from either side

Internal Wire Baskets

Make it easy to keep your food organised

Digital Control Panel

Provides independent regulation for each zone



Power via

12V Cigarette Socket



Solar Blanket



Mains Power



Battery Power



Low Profile

Makes it easy to stow in a boat or the back of a ute

Bluetooth®

In-built Battery Compartment

Holds optional lithium battery for fully off-grid use



FIT THE PROFILE

Each of the two zones in these high-capacity units has its own lid, so you're not letting the freezer lose its cool every time you grab something from the fridge compartment. This range is the way to go when you need enough food and drinks to satisfy a crowd.

The low slimline design makes them easier to fit into the back of a vehicle or on a slide.

These units also feature an integrated solar charge controller for easy connection to solar panels and are compatible with the optional lithium batteries for fully unplugged operation.

The digital controls allow you to set the temperature for each zone separately, giving you the option of two freezer zones, two fridge compartments, or one of each. You can set the temperature anywhere between -20°C and +20°C, and the many optional accessories further enhance the versatility of these units.

ACCESSORIES SEE PAGE 40 & 41



REMOVABLE LITHIUM BATTERIES



POWER SUPPLIES & CABLES



SOLAR PANEL



INSULATED COVERS



FRIDGE STAND



SLIDE DRAWER

WHY YOU NEED IT

- Up to a huge 115L (GH1684) in a low-profile envelope of just 944 x 528 x 523mm that fits easily into a car or boat.
- Optional battery and solar panels support fully unplugged off-grid use, perfect for extended camping trips.

BEST FOR...

- High-volume applications
- Use in a vehicle and/or an extra fridge/freezer at home
- Long periods far from civilisation

ADDITIONAL FEATURES

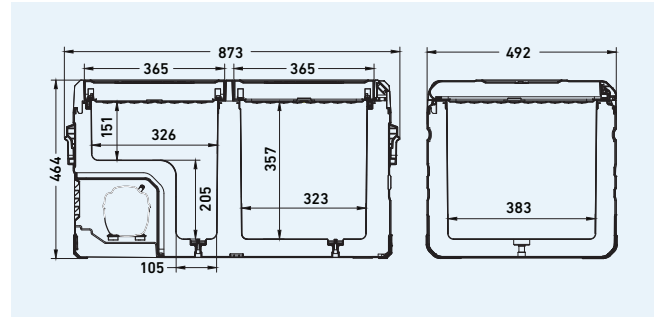
- LED internal light for easy finding of food in the dark
- Baskets included
- Quiet with little noise less than 38dB
- Solar ready (get power directly from a solar panel)
- 3-stage low voltage battery protection
- 12/24V car cigarette power lead & 240VAC to 12VDC mains power adaptor included



SPECIFICATIONS

Volume (Litres)	75
Dimensions (L x W x H mm)	873 x 492 x 464
Weight (kg)	24.2
Power Source	12-24V DC, 100-240V AC or optional battery
Cat. No	GH2080

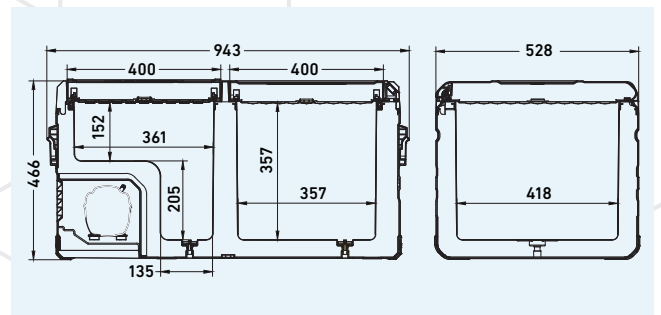
DIMENSIONS



SPECIFICATIONS

Volume (Litres)	95
Dimensions (L x W x H mm)	943 x 528 x 466
Weight (kg)	26.5
Power Source	12-24V DC, 100-240V AC or optional battery
Cat. No	GH2082

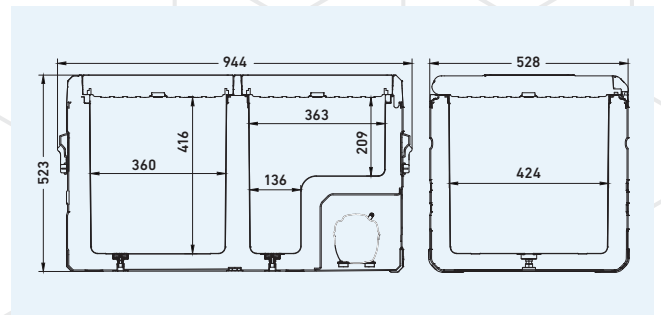
DIMENSIONS



SPECIFICATIONS

Volume (Litres)	115
Dimensions (L x W x H mm)	944 x 528 x 523
Weight (kg)	28.5
Power Source	12-24V DC, 100-240V AC or optional battery
Cat. No	GH1684

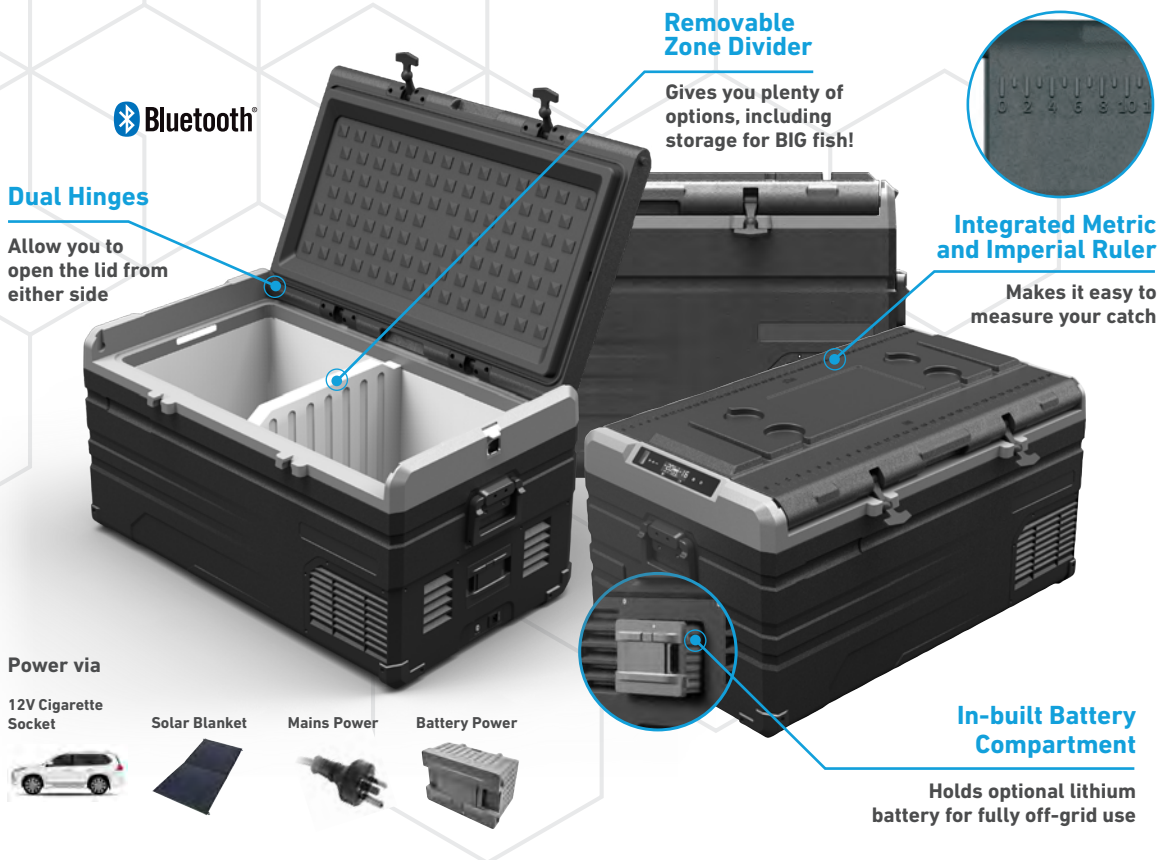
DIMENSIONS





LOW PROFILE DUAL ZONE FISHING FRIDGE / FREEZERS

WITH IN-BUILT BATTERY COMPARTMENT



Bluetooth

Dual Hinges

Allow you to open the lid from either side

Removable Zone Divider

Gives you plenty of options, including storage for BIG fish!

Integrated Metric and Imperial Ruler

Makes it easy to measure your catch

In-built Battery Compartment

Holds optional lithium battery for fully off-grid use

Power via

12V Cigarette Socket



Solar Blanket



Mains Power



Battery Power



CATCH OF THE DAY

Packed with features that fans of fishing and boating will love, such as a removable divider that lets you use the entire interior space as a single-zone fridge or freezer of up to 115L (GH2044). You get the best of both worlds and can choose between a fridge and freezer zone, two fridge zones, or two freezer zones. Plus, mobile app control lets you adjust the settings without abandoning your fishing rod or the boat's controls.

The 12/24VDC operation means you can take your fridge out of the boat and plug it straight into the ute. As if that wasn't enough, a 240VAC adaptor is included as well, so you can keep your catch cold after arriving home without needing to transfer it to another fridge. Need more power options? An optional lithium battery plus plug-and-play support for solar panels will keep your fridge running even in a rowboat!

WHY YOU NEED IT

- Super-handy integrated design features, such as a ruler for measuring your catch moulded into the lid.
- Unlike the other fridge/freezers, this range's large internal size and dual-opening lids are exactly what you need on fishing trips.

BEST FOR...

- Fishing enthusiasts!
- Versatile interior options
- Extra-secure lid latches

ADDITIONAL FEATURES

- CM and IN molded into lid for measuring fish
- USB Ports
- Digital control panel
- Solar ready (get power directly from a solar panel)
- LED internal light for easy finding of food in the dark
- 3-stage low voltage battery protection
- 12/24V car cigarette power lead & 240VAC to 12VDC mains power adaptor included

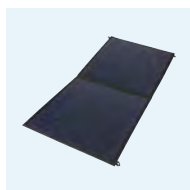
ACCESSORIES SEE PAGE 40 & 41



REMOVABLE LITHIUM BATTERIES



POWER SUPPLIES & CABLES



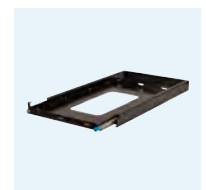
SOLAR PANEL



INSULATED COVERS



FRIDGE STAND



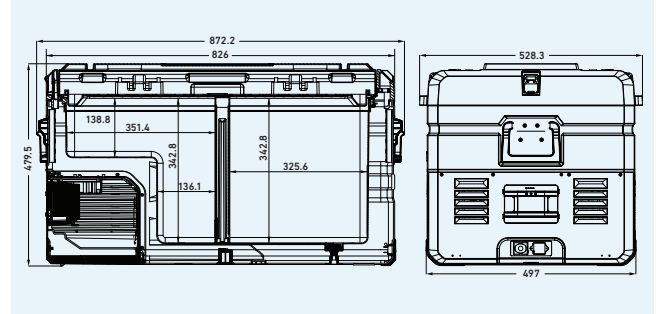
SLIDE DRAWER



SPECIFICATIONS

Volume (Litres)	75
Dimensions (L x W x H mm)	872 x 528 x 479
Weight (kg)	24.2
Power Source	12-24V DC, 100-240V AC
Cat. No	GH2040

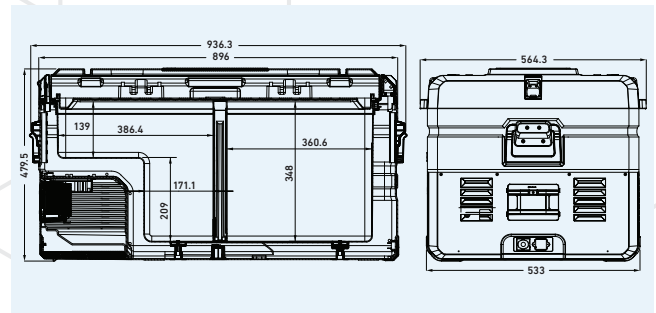
DIMENSIONS



SPECIFICATIONS

Volume (Litres)	95
Dimensions (L x W x H mm)	936 x 564 x 479
Weight (kg)	26.5
Power Source	12-24V DC, 100-240V AC
Cat. No	GH2042

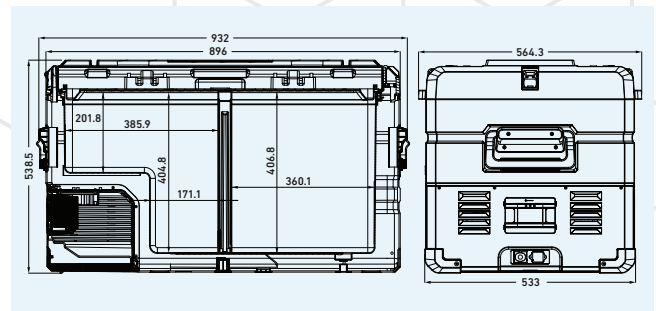
DIMENSIONS



SPECIFICATIONS

Volume (Litres)	115
Dimensions (L x W x H mm)	932 x 564 x 538
Weight (kg)	28.5
Power Source	12-24V DC, 100-240V AC
Cat. No	GH2044

DIMENSIONS







**BRASS
MONKEY**

STAINLESS STEEL DUAL ZONE FRIDGE / FREEZERS WITH LG COMPRESSOR

Internal Basket

Allows you to easily organise and access the contents



LED Internal Light

Makes it easy to see the contents in an unlit site at night time



Separate Lids with Stainless Steel Latches

Stainless construction and positive closure prevents accidental opening



DUAL ZONE



MOBILE APP CONTROL



3 YEAR WARRANTY



Reliable Compressor

Made by LG, ensuring efficiency and quiet operation

Stainless Steel Housing

Looks great while also being tough and durable

STEEL WORKS

These stainless appliances feature independent temperature control for the two zones through -20°C to $+10^{\circ}\text{C}$. Choose between a fridge and freezer zone, two fridge zones, or two freezers. The separate lids are secured with stainless latches to keep them tightly shut, while extra-strong metal handles are a visual and functional match for the premium stainless casing.

The larger unit (GH1648) is a very generous 100L, making it larger than many conventional bar fridges. Both models include a reliable yet low-noise compressor made by LG which can be switched from 3000rpm to 2500rpm as a power-saving option.

WHY YOU NEED IT

- Compatible with various accessories that boost efficiency and convenience.
- Tough stainless steel design offers great looks and uncompromising functionality.

BEST FOR...

- Securely latching lids
- Low-noise operation
- Top-quality LG compressor

ADDITIONAL FEATURES

- Heavy-duty handles
- Digital temperature display with temperature control for each zone
- Separate fridge and freezer zones
- 3-stage low voltage battery protection
- 12/24V car cigarette power lead & 240VAC to 12VDC mains power adaptor included

ACCESSORIES SEE PAGE 40 & 41



POWER SUPPLIES & CABLES



INSULATED COVERS



FRIDGE STAND



SLIDE DRAWER

80L
CAPACITY

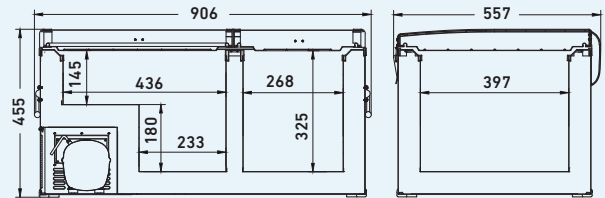
HOLDS
113
CANS



SPECIFICATIONS

Volume (Litres)	80
Dimensions (L x W x H mm)	906 x 557 x 455
Weight (kg)	27.7
Power Source	12-24V DC, 100-240V AC
Cat. No	GH1646

DIMENSIONS



100L
CAPACITY

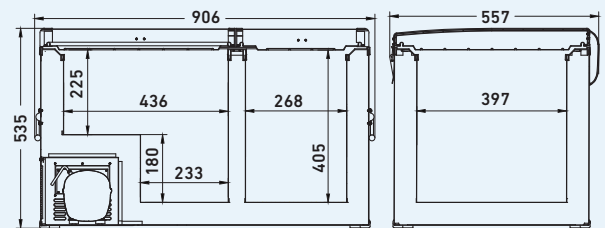
HOLDS
158
CANS



SPECIFICATIONS

Volume (Litres)	100
Dimensions (L x W x H mm)	906 x 557 x 535
Weight (kg)	28.8
Power Source	12-24V DC, 100-240V AC
Cat. No	GH1648

DIMENSIONS





UPRIGHT FRIDGES WITH FREEZER ZONE

Internal Ice Compartment

Freezer zone that can get as cold as -18°C

LED Internal Light

Like in the kitchen fridge at home

Super Efficient LG Compressor

Keeps main compartment chilled at 0-5°C



Cost Effective

Sharper price point than other appliances with similar features

UPSTANDING CHARACTERS

95L 12/24VDC UPRIGHT FRIDGE WITH FREEZER ZONE

This feature-packed upright fridge, powered by 12/24VDC via a cable with cigarette lighter plug, or included merit socket adaptor, comes into its own when off-grid and mains power is not available.

The high-quality LG compressor ensures quiet operation and excellent cooling, including a quick-freeze function. This unit's compact single-door design includes a freezer zone that can be chilled to as low as -18°C, while the main compartment houses three height-adjustable shelves and a crisper.

WHY YOU NEED IT

- Similar in size to a medium bar fridge, yet it runs off 12V/24VDC as well as AC (via optional adaptor).
- Quiet and super-efficient LG compressor for excellent chilling performance.

BEST FOR...

- An off-grid holiday cabin
- A caravan or RV
- Extra food storage at home

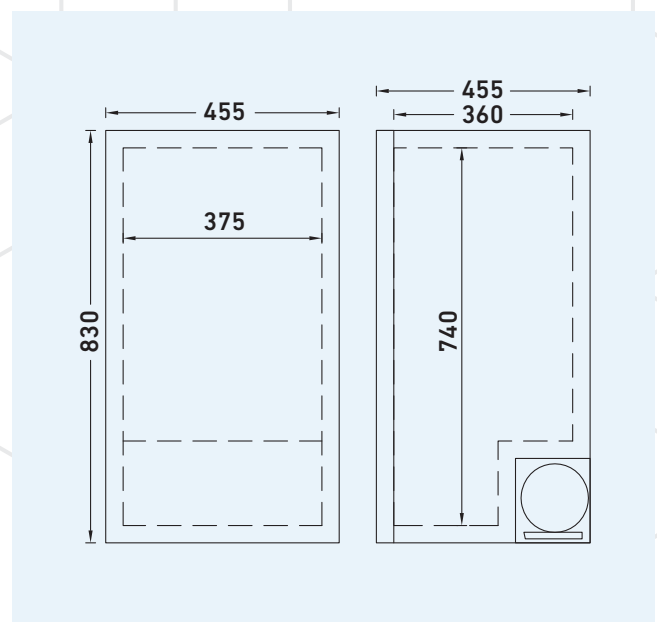
ADDITIONAL FEATURES

- Crisper drawer
- 3 Height adjustable safety shelves
- 3-stage low voltage battery protection
- Hard wired 12/24VDC cigarette plug with merit socket adaptor

SPECIFICATIONS

Volume (Litres)	95
Dimensions (L x W x H mm)	455 x 455 x 830
Weight (kg)	24
Power Source	12-24V DC, Optional 100-240V AC Adaptor
Cat. No	GH1660

DIMENSIONS



Large Separate Freezer Compartment

LED Internal Light

For easy finding of food in the dark

Super Efficient LG Compressor

138L CAPACITY

3 YEAR WARRANTY

Powered by an
LG COMPRESSOR

2 Metal Doors

Separate chiller and freezer zones

138L 12/24VDC UPRIGHT FRIDGE WITH SEPARATE FREEZER ZONE

Standing 1.3m high, with a top-mounted freezer compartment, adjustable shelving and a crisper drawer, this has similar features to a small domestic fridge, even if it is more of a camping fridge at heart. Thanks to its LG compressor and efficient insulation, it can chill the freezer compartment to -18°C, and the fridge zone through 0-5°C.

One big advantage over a standard kitchen fridge is that it can be powered by 12/24VDC, so you don't need a powered site or a pure sine wave inverter to run it. Another is the price point, which is significantly more affordable than an AC domestic fridge.

WHY YOU NEED IT

- Huge 138L capacity lets you stock enough food to last for days away from civilisation.
- Slimline footprint makes it easy to fit through an entrance door and take up less floor space in the kitchen area.

BEST FOR...

- Replacing a small AC fridge in a caravan
- Extended off-grid adventures
- Second fridge for garage or man cave

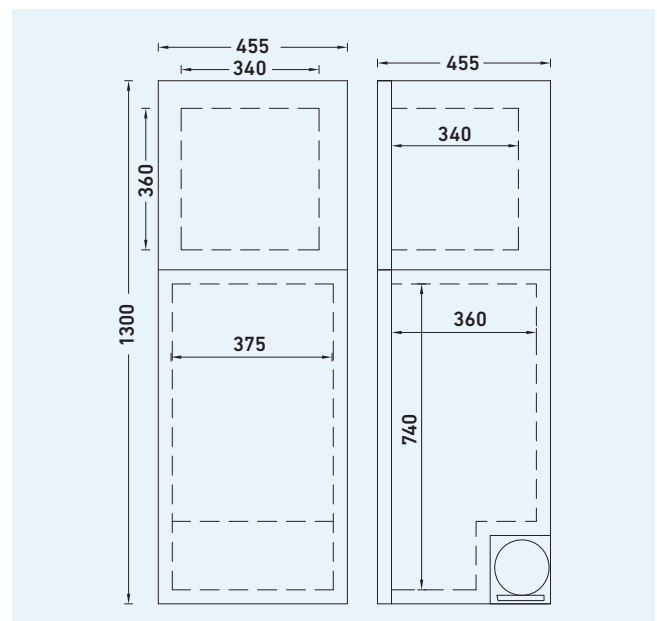
ADDITIONAL FEATURES

- Crisper drawer
- 3 Height adjustable safety shelves in fridge and 1 fixed position shelf in freezer
- 3-stage low voltage battery protection
- Hard wired 12/24VDC cigarette plug with merit socket adaptor

SPECIFICATIONS

Volume (Litres)	138
Dimensions (L x W x H mm)	455 x 455 x 1300
Weight (kg)	33
Power Source	12-24V DC. Optional 100-240V AC Adaptor
Cat. No	GH1662

DIMENSIONS







**BRASS
MONKEY**

40-65L CARAVAN FRIDGES WITH FREEZER ZONE

Exterior Digital Controls

For easy regulation of temperature

Removable Freezer Zone

Transforms the unit into a single-compartment fridge or freezer



Quality LG Compressor

For whisper-quiet, efficient and reliable operation

Bluetooth®

Positive Latching

Ensures your food doesn't fly out while you're navigating unpaved roads

Crisper Drawer

To keep your fruit and veggies fresh, just like in a larger fridge

Reversible Door

Can be easily popped out and clipped into the hinges on the other side



MOBILE APP CONTROL



3 YEAR WARRANTY



Powered by an
LG
COMPRESSOR

QUIET ACHIEVER

Optimised for caravans, motorhomes and boats these little beauties feature practical perks like latching, reversible doors and a freezer zone that can be disassembled in seconds to give a one-compartment interior.

From a super-compact 40L unit (GH1673) to a 50L model (GH1675) and finally 65L version (GH1675), they are packed with versatility and power that belie their exterior dimensions. Mobile app control allows you to tweak the temperature settings from your car or the cab section of an RV without having to pull over.

This range includes many of the features typically found on AC-powered fridges, while giving you the freedom of not being forced to find a powered site.

WHY YOU NEED IT

- A 12/24VDC cigarette lighter cord is hard-wired in, so you can never misplace the cable, plus a merit socket adaptor is included.
- Removable freezer zone greatly increases the versatility of this range.

BEST FOR...

- Caravanning, of course
- Multiple arrangements of interior space
- Ideal for any transportable home

ADDITIONAL FEATURES

- Metal door to withstand camping and motorhome use
- LED internal light for easy finding of food in the dark
- Freezer zone with extra thick insulation
- Hard wired 12/24VDC cigarette plug with merit socket adaptor
- 3-stage low voltage battery protection

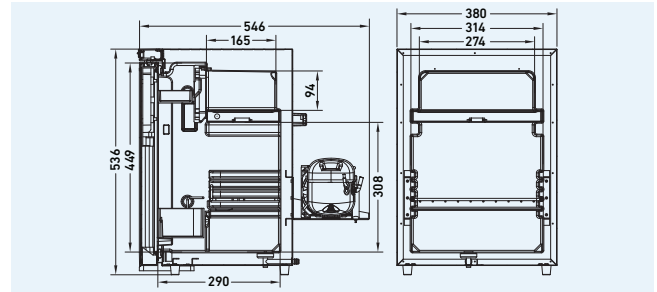
40L
CAPACITY



SPECIFICATIONS

Volume (Litres)	40
Dimensions (L x W x H mm)	380 x 546 x 536 (with shelf) 380 x 364 x 536 (without shelf)
Weight (kg)	17.3
Power Source	12-24V DC. Optional 100-240V AC Adaptor.
Cat. No	GH1673

DIMENSIONS



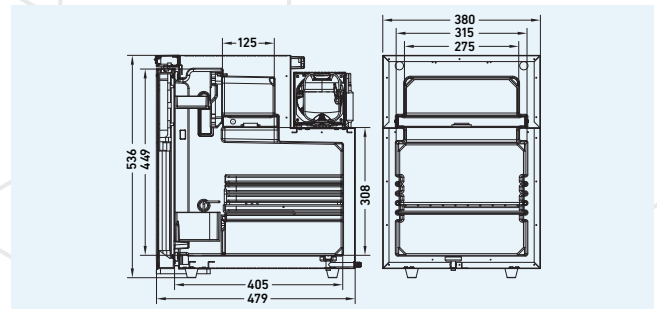
50L
CAPACITY



SPECIFICATIONS

Volume (Litres)	50
Dimensions (L x W x H mm)	380 x 479 x 536
Weight (kg)	16.2
Power Source	12-24V DC. Optional 100-240V AC Adaptor.
Cat. No	GH1675

DIMENSIONS



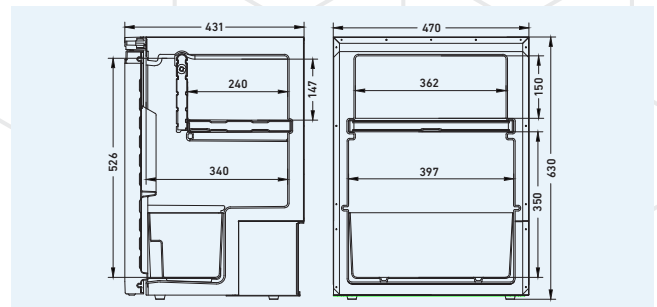
65L
CAPACITY



SPECIFICATIONS

Volume (Litres)	65
Dimensions (L x W x H mm)	470 x 431 x 630
Weight (kg)	20
Power Source	12-24V DC. Optional 100-240V AC Adaptor.
Cat. No	GH1676

DIMENSIONS





**BRASS
MONKEY**

85-90L CARAVAN FRIDGES

WITH FREEZER ZONE + LG COMPRESSOR



Freezer Compartment

Can be set as low as -20°C

Exterior Digital Controls

For easy regulation of temperature in the freezer compartment and chiller section

Door Latches

Ensure the door stays securely shut while you're driving

Bluetooth®

Reliable LG Compressor

For quiet, powerful and super-efficient cooling

Dual-direction Hinges

Allow you to easily switch the door from opening on one side to the other



ROAD WARRIOR

Built specifically for caravan use, this model's ingenious and handy features include a dual-direction door that can be opened from either side and securely closed with positive latching. There's also a crisper drawer, and the temperature of the freezer compartment and main space can be controlled separately.

A small mains-powered fridge is all well and good if you're stopping at a powered site, but what if no AC is available? Some RV fridges are designed to utilise bottled LPG for refrigeration, but arguably that is a less than perfect solution. By contrast, this model can run off 12/24VDC.

WHY YOU NEED IT

- Designed with features specifically for caravan use, plus it's half the price of the name brands.
- The temperature of each compartment can be set between -20°C and +20°C, so you can use the whole interior as a deep freezer, for example.

BEST FOR...

- Caravan adventures
- Extra fridge for home

ADDITIONAL FEATURES

- Metal door to withstand camping and motorhome use
- LED internal light for easy finding of food in the dark
- 3-stage low voltage battery protection
- Hard wired 12/24VDC cigarette plug with merit socket adaptor

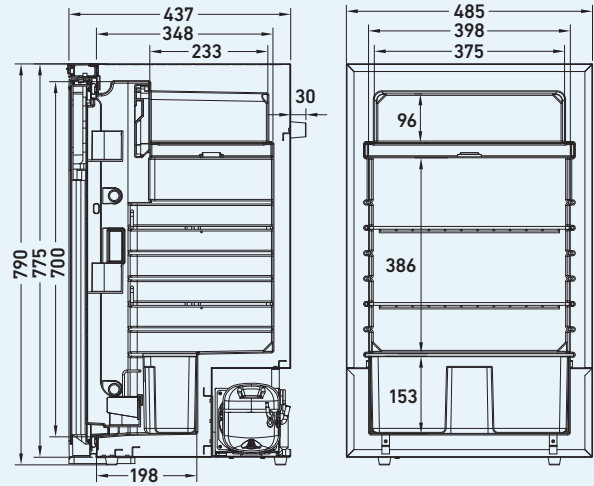
85L
CAPACITY



SPECIFICATIONS

Volume (Litres)	85
Dimensions (L x W x H mm)	437 x 485 x 790
Weight (kg)	28
Power Source	12-24V DC. Optional 100-240V AC Adaptor.
Cat. No	GH1678

DIMENSIONS



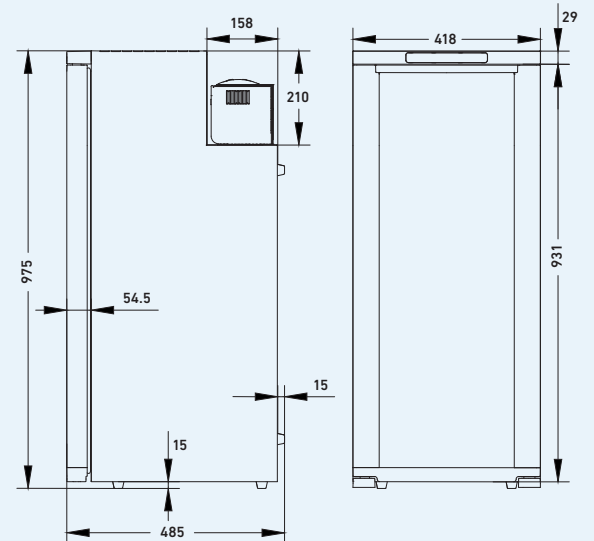
90L
CAPACITY



SPECIFICATIONS

Volume (Litres)	90
Dimensions (L x W x H mm)	418 x 485 x 975
Weight (kg)	30
Power Source	12-24V DC. Optional 100-240V AC Adaptor.
Cat. No	GH1679

DIMENSIONS





**BRASS
MONKEY**

DRAWER FRIDGE / FREEZER

Removable Dividers

Coated wire frames let you easily organise the interior space

Bluetooth®

Stackable Design

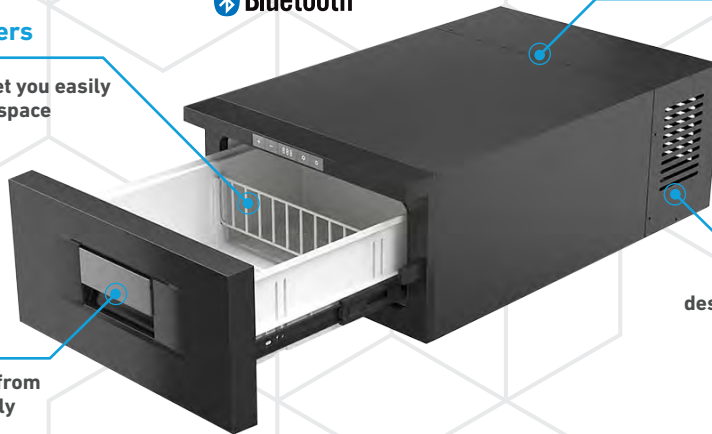
Add an additional unit to use one as a freezer and the other as a fridge

Impressive Performance

A compressor-type design in a tiny package for uncompromising functionality

Easy-Lock Latch

Prevents the drawer from sliding out accidentally



LET IT SLIDE

Despite its relatively tiny exterior dimensions of 440 x 698 x 250mm, this fridge/freezer features a generous 20L volume. With easy-to-access digital controls conveniently located on the interior top edge of the casing, this is lateral thinking in design at its finest.

However, if you like to ensure optimal operation by frequently tweaking the temperature or switching from 'max cooling' to 'eco', you won't need to open it every time, thus losing your cool. This compact unit is equipped with app control, allowing you to regulate it from your smartphone.

It can even be set to a chilling -20°C, and the optional 240VAC adaptor lets you use it at home as a drinks fridge or extra freezer space.

WHY YOU NEED IT

- Slide-out design & flat layout make it easy to reach contents.

BEST FOR...

- The tightest spaces
- Energy efficiency
- Easy access

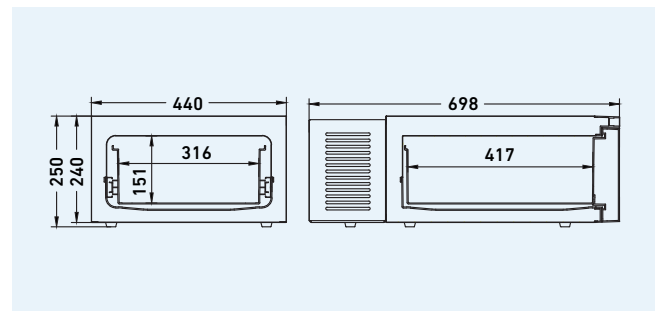
ADDITIONAL FEATURES

- 12/24VDC operation
- Max and Eco modes
- 3-stage low voltage battery protection
- 12/24V car cigarette power lead included
- 240VAC to 12VAC mains power adaptor GH1628 (sold separately)

SPECIFICATIONS

Volume (Litres)	20
Dimensions (L x W x H mm)	440 x 698 x 250
Weight (kg)	21.8kg
Power Source	12-24V DC. Optional 100-240V AC Adaptor.
Cat. No	GH2008

DIMENSIONS



ACCESSORIES SEE PAGE 40 & 41



POWER SUPPLIES & CABLES





**BRASS
MONKEY**

APPLIANCES

12/24VDC PORTABLE ICE MAKER

ICE ICE BABY

This whisper-quiet 12/24VDC ice maker is compact in size and weighs less than 10kg, yet it has a compressor cooling system that lets it push out a load of ice cubes in under seven minutes. Features a carry handle and convenient touch panel that allows you to select between different running modes. Just add water, choose one of two ice cube sizes, and away you go!

SPECIFICATIONS

Ice Made / 24Hrs	up to 16L
Dimensions (L x W x H mm)	353 x 236 x 345
Weight (kg)	9.2
Power Source	12/24VDC
Cat. No	GH1560



Ice cubes in less than seven minutes!

As little as half the price of other brands

Whisper-quiet Operation

Compressor Cooling

Removable Ice Basket

Two sizes of ice cubes to choose from



30L PORTABLE COOLER / WARMER

BLOWING HOT AND COLD

A great way to keep your food and drink cool or warm in the car at the worksite or during the long road trip. Lightweight and portable. It can cool your food to 5°C or warm it to 55°C. Will fit a bottle of white wine or 2L bottle of milk lying down or standing up.

SPECIFICATIONS

Volume (Litres)	30
Min / Max Temperature (°C)	5 / 55
Dimensions (L x W x H mm)	472 x 328 x 437
Weight (kg)	6.4
Power Source	12VDC
Cat. No	GH1369

Low-noise Operation

Dual Function

For cooling down or warming up the contents

CFC Free



HEAVY-DUTY COOLER BAGS

BAG OF TRICKS

Closed-cell foam insulation and high-density NBR foam ensure these tough cooler bags offer excellent cooling performance. Handy features such as a moulded cup holder, reinforced handles, shoulder strap and attached bottle opener make them convenient and practical for sporting events, hiking trips and other outdoor activities.

SPECIFICATIONS

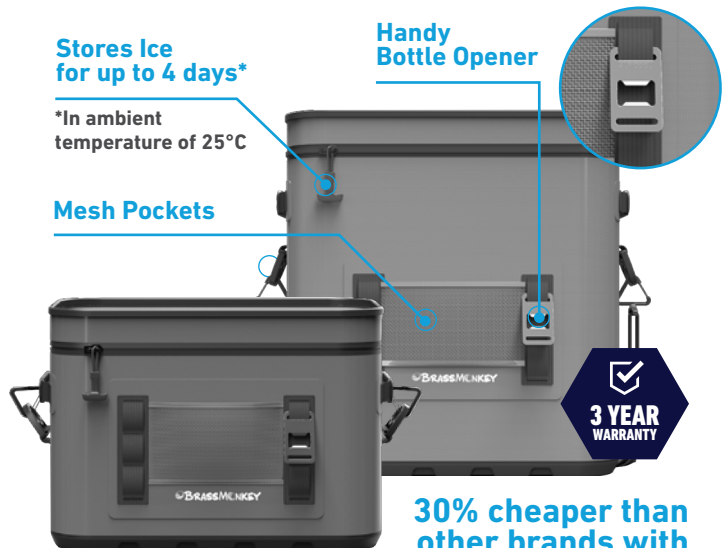
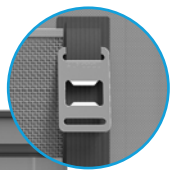
Volume (Litres)	12	15	25
Dimensions (LxWxH mm)	370 x 226 x 310	451.5 x 287 x 295	451.5 x 287 x 440
Weight (kg)	1.7	2	2.5
Cat. No	GH1974	GH1970	GH1972

Stores Ice for up to 4 days*

*In ambient temperature of 25°C

Handy Bottle Opener

Mesh Pockets



30% cheaper than other brands with no loss of quality



ICE BOXES

THINK INSIDE THE BOX

These iceboxes are perfect for extreme environments where they're likely to get drenched in water from the sea or pool, and feature outstanding insulating properties. Assuming an initial ice load of 1/3 of the box's capacity, and the lid opened twice a day, they can keep their contents cool for up to four days. No matter how much you love your 12/24VDC fridge/freezer, there are times when sophisticated active cooling is overkill and a quality icebox is all you need.

ADDITIONAL FEATURES

- Polyurethane insulation foam for maximum temperature control
- Quick draining plug for excess water
- High-grade moulded tuck-in side handles for strength and easy carrying
- Rubber feet and textured finish lid

Corrosion-proof Hardware

Including stainless steel latches

Moulded hinges with Aluminium Pins

Cavity Sealed Lid

For superior stay-cool performance

UV Resistant Material

Won't fade in harsh Aussie sunlight

Stays cool up to 4 days*

*In a max ambient temperature of 28°C



Volume (Litres)	50
Dimensions (L x W x H mm)	Internal 490 x 310 x 345 External 620 x 425 x 445
Cat. No	TOG462



Volume (Litres)	82
Dimensions (L x W x H mm)	Internal 635 x 360 x 380 External 780 x 490 x 485
Cat. No	TOG466



Volume (Litres)	100
Dimensions (L x W x H mm)	Internal 755 x 340 x 380 External 900 x 475 x 495
Cat. No	TOG468



Volume (Litres)	160
Dimensions (L x W x H mm)	Internal 805 x 440 x 470 External 965 x 565 x 585
Cat. No	TOG470



ACCESSORIES

EXTRAS, READ ALL ABOUT 'EM!

CABLES / ADAPTERS



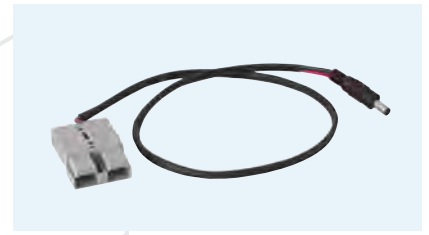
85W MAINS POWER SUPPLY (GH1628)

Compatible with fridges that have a rectangular power connection, this suits maximum fridge power of 85W, with an output of 14.5VDC at 6A and lets you plug in your Brass Monkey at home, motel or worksite.



12V POWER CABLE (GH1629)

With a combination plug compatible with both cigarette lighter sockets and merit power outlets, the fridge connector on this spare or replacement power cable can also be used with other brands (depending on input moulding).



INPUT ADAPTOR LEAD BETWEEN SOLAR DC AND 50A ANDERSON (GH2016)

Designed for solar-ready Brass Monkey units, this allows you to plug a solar setup with a 50A Anderson connector into the fridge/freezer's solar DC input socket.

ALTERNATIVE POWER



REMOVABLE LITHIUM BATTERIES

Lightweight and powerful, these batteries simply snap into the in-built battery compartment. Available in 5Ah (GH2050), 7Ah (GH2052) and 15.6Ah (GH2054) capacities, they will help you keep your unit powered (when mains or 12/24V power is unavailable) and allow untethered operation. Compatible with a wide variety of Brass Monkey models



100W CANVAS BLANKET SOLAR PANEL (GH2015)

This solar blanket can keep your fridge/freezer running while completely off the grid. It can be connected directly to solar-ready Brass Monkey units with in-built battery compartment -- no additional charge controller required.

Please note: An internal battery must be installed when using the solar panel

MISCELLANEOUS



DRINKWARE

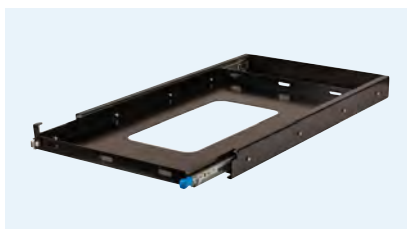
Keep your coffee hot at the worksite or road trip with our range of travel cups. Featuring 304 grade stainless steel, a spill resistant lid, and powder coated to protect from scratches & fading. Available in 350ml & 590ml

PORTABILITY



FOLDING ALUMINIUM FRIDGE STAND (GH1608)

Keep your fridge or icebox clear of dirt, sand and water while making it easier to access without stooping. This strong and durable frame folds flat and comes with its own storage bag, and can handle a load of up to 150kg when opened up. This weight rating makes it suitable for not only Brass Monkey products but also many other brands as well.



SLIDE DRAWERS

Allows you to access your Brass Monkey fridge/freezer by simply opening the tailgate and gliding it out. Rated up to 100kg, it's easy to mount thanks to the included hardware and pre-drilled holes. One version (GH1613) is designed for all fridges below 80L, while another (GH1617) is intended for models of 80L and larger.

Please note: May support other brands with a maximum footprint of 895 x 550mm -- please check with your local store to confirm compatibility.



TIE DOWN BRACKETS (GH2058)

Tying down your Brass Monkey fridge/freezer is made easier with these metal brackets. Simply unscrew the fridges handles, place the metal bracket on the fridge then re-screw the plastic handle over the top. Use any tie down strap and anchor your fridge easily wherever you need to.



COVER STORY

These multifunction accessories protect your Brass Monkey's exterior while also providing extra insulation for improved energy efficiency. Precision-tailored for specific models, their comprehensive feature list includes:

- Pockets for storing cables, power supply and other accessories
- Clear panel to let you easily see and access the digital display and temperature controls
- Tie-down points on the corners for secure attachment
- Mesh panels for unimpeded ventilation, allowing the compressor to stay cool during use

Suits Colour	Suits Fridge Sizes (L x W x H mm)	Suits Fridge Model #	Image #	Cover #
9L Grey	425 x 320 x 255	GH1627	1	GH1631
15L Grey	598 x 320 x 260	GH1623	2	GH1626
15L Grey	598 x 320 x 260	GH2027		GH2031
22L Grey	598 x 320 x 335	GH1624	3	GH1625
25L Grey	615 x 335 x 349	GH2006	4	GH2007
25L Grey	666 x 393 x 354	GH2028		GH2029
35L Grey	711 x 460 x 441	GH2020	3	GH2021
36L Grey	723 x 360 x 365	GH1640	5	GH1650
36L Green	723 x 360 x 365	GH1640	6	GH1651
36L Desert Camo	723 x 360 x 365	GH1640	7	GH1670
42L Grey	689 x 427 x 472	GH2030	8	GH2001
45L Grey	711 x 460 x 506	GH2022	9	GH2023
50L Grey	723 x 360 x 455	GH1642	5	GH1652
50L Green	723 x 360 x 455	GH1642	6	GH1653
50L Desert Camo	723 x 360 x 455	GH1642	7	GH1672
52L Grey	689 x 427 x 542	GH2032	8	GH2003

Suits Colour	Suits Fridge Sizes (L x W x H mm)	Suits Fridge Model #	Image #	Cover #
55L Grey	711 x 460 x 571	GH2024	9	GH2025
60L Grey	723 x 360 x 545	GH1644	5	GH1654
60L Green	723 x 360 x 545	GH1644	6	GH1655
60L Desert Camo	723 x 360 x 545	GH1644	7	GH1674
62L Grey	689 x 427 x 612	GH2034	10	GH2005
75L Grey	837 x 492 x 464	GH2080	11	GH1681
75L Grey	937 x 535 x 508	GH2036		GH2011
75L Grey	872 x 528 x 479	GH2040		GH2041
80L Grey	906 x 557 x 455	GH1646	12	GH1656
95L Grey	943 x 518 x 466	GH2082	11	GH1683
95L Grey	1005 x 571 x 465	GH2038		GH2013
95L Grey	936 x 564 x 479	GH2042		Gh2043
100L Grey	906 x 557 x 535	GH1648	12	GH1658
115L Grey	944 x 258 x 523	GH1684		GH1685
115L Grey	932 x 564 x 538	GH2044		GH2045



Pockets to store cables & power supply



No ice ...
Noice!
Brass Monkey Portable Fridge/Freezers



AVAILABLE FROM

All possible care has been taken in the preparation of this catalogue, however, specifications and particulars in relation to the products referred to in this catalogue are subject to change without prior notice. Due to the rapid developments within the industry some products in this catalogue may become obsolete or discontinued during its life. Some photographs contain samples which are representative only. Stocked item may vary in colour and look. We will not be held liable for any errors or omissions. Trademarks and copyrights are the property of their respective owners. © 11/2021. V2.